

PACK WC

MILAS SURELEVE SV



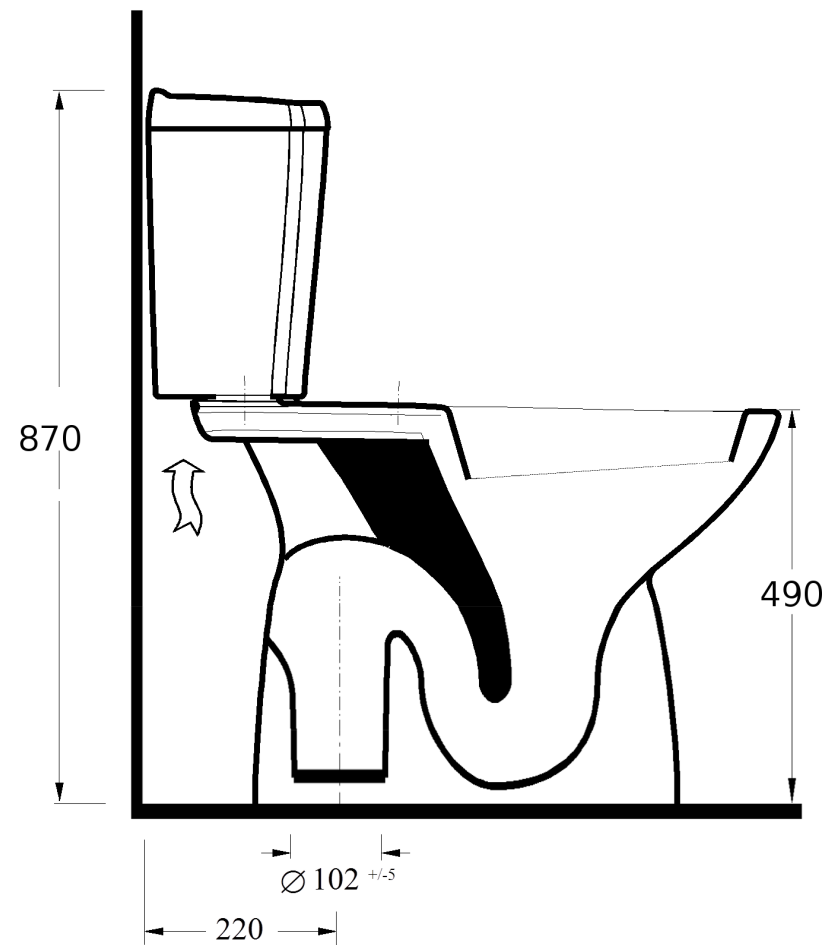
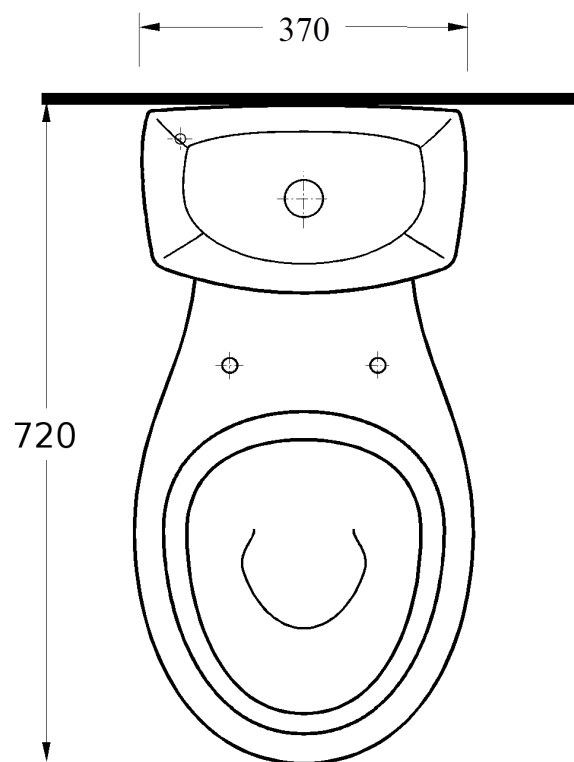
Produit Product	PACK WC	WC PACK
Composition Include	1 CUVETTE SV "HT490" SURELEVEE 1 ABATTANT RIGIDE PP "FREIN DE CHUTE DECLIPSABLE" NF 1 RESERVOIR 1 MECANISME 3/6L " ECONOMISEUR D'EAU" 1 ROBINET FLOTTEUR SILENCIEUX 1 KIT FIXATION SOL	1 PAN WC "RAISED HEIGHT- 490mm" VERTICAL OUTLET 1 SEAT COVER 1 CISTERN 1 MECANISM 3/6L WATER SAVER 1 FLOOR FIXING
Matière Material	CERAMIQUE	CERAMIC
Coloris Color	BLANC	WHITE
Normes Standards	EN 997-A1	EN 997-A1
Dimensions Sizes	Larg(mm): 375 Prof(mm): 720 Haut(mm): 870	Width(mm): 375 Depht(mm): 720 Height(mm): 870
Poids (kg) Weight (kg)		

GD GodartDistribution

Carvin - France - Téléphone : +33 (0)3 21 79 16 79 - Fax : +33 (0)3 21 74 13 33 - www.godart-distribution.com - Email : contact@godart-distribution.com

PACK WC A POSER

MILAS SURELEVE SV



GD GodartDistribution

Carvin - France - Téléphone : +33 (0)3 21 79 16 79 - Fax : +33 (0)3 21 74 13 33 - www.godart-distribution.com - Email : contact@godart-distribution.com